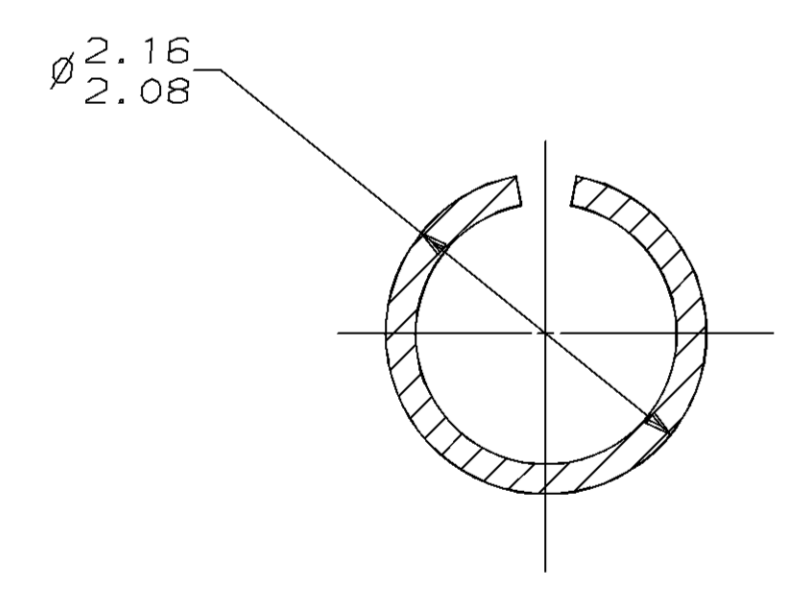
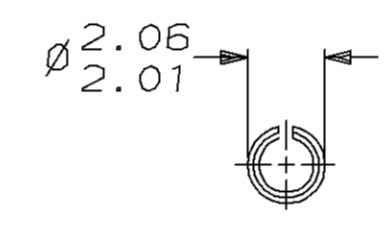
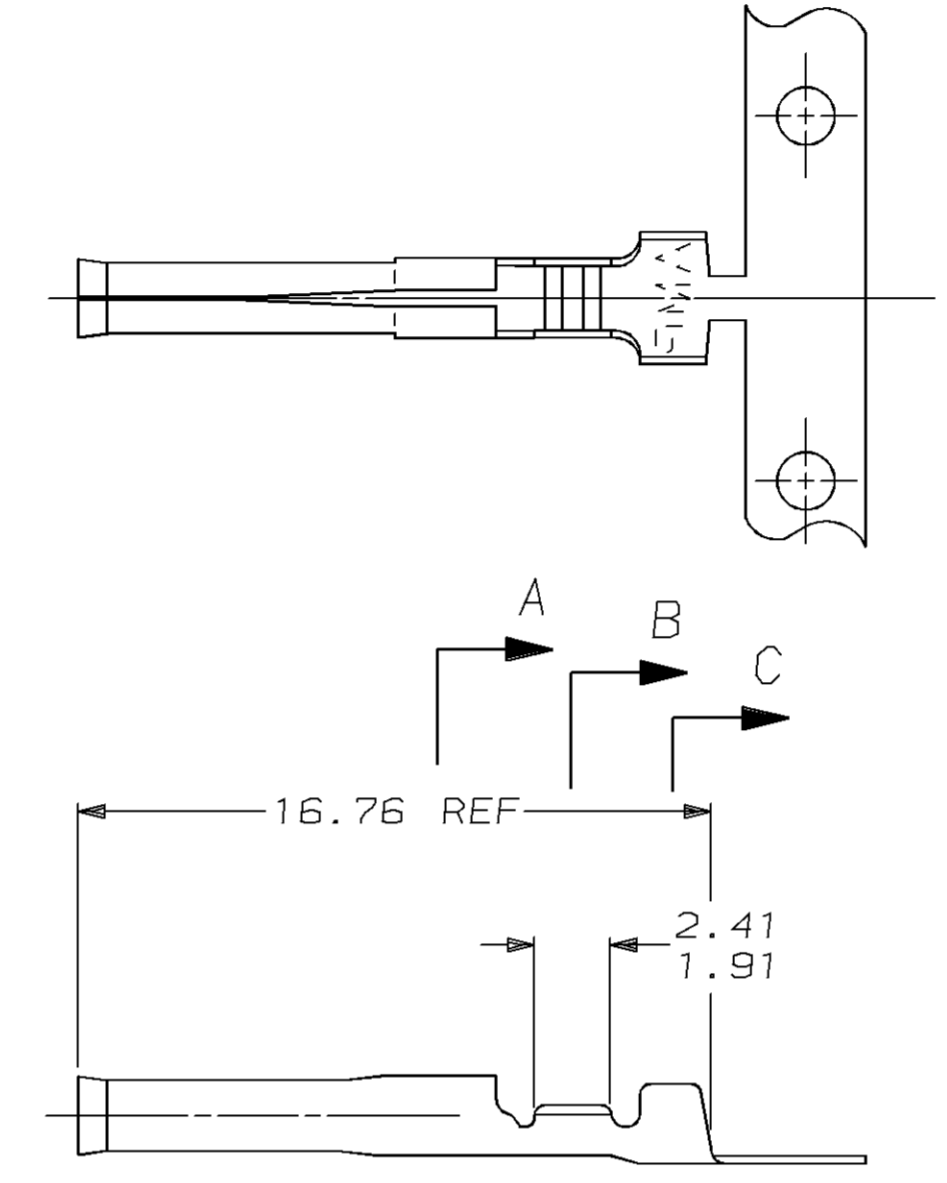
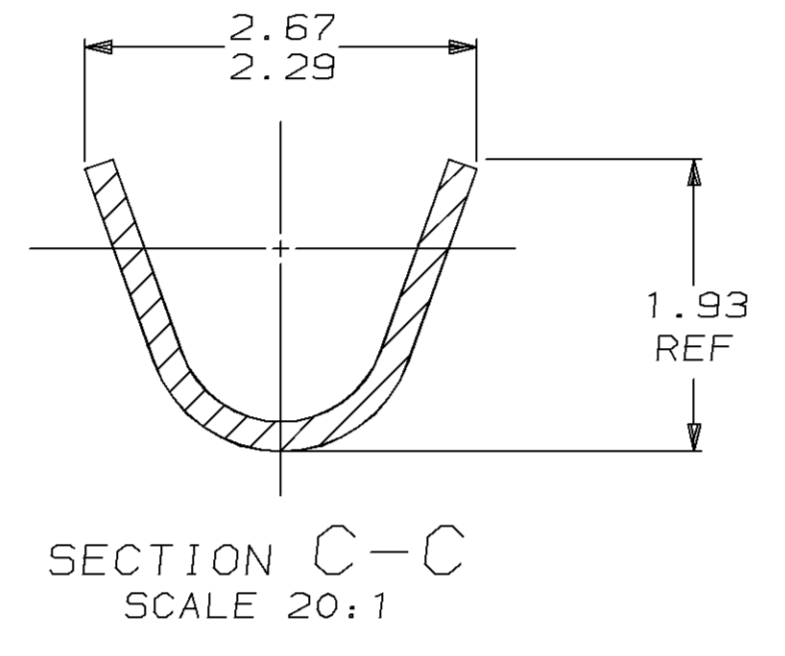
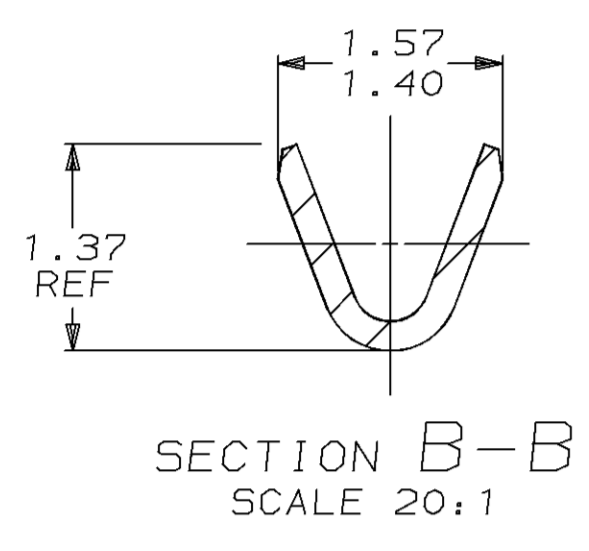


LOC		DIST		P		F		ZONE		LTR		REVISIONS		DATE	APPD	
CM	53												0	RLSD PER PR CM 94-85	8-1-94	KS



2.06	.081	-	-
2.01	.079	-	-
1.93	.076	-	-
1.91	.075	-	-
1.57	.062	16.76	.660
1.52	.060	2.67	.105
1.40	.055	2.41	.095
1.37	.054	2.29	.090
0.20	.008	2.16	.085
0.13	.005	2.08	.082
MM	IN	MM	IN

CONVERSION TABLE

METRIC

FINISH	MATERIAL	INSULATION DIAMETER	WIRE RANGE	PART NO
PRE-TIN	0.20 BRASS	1.52 MAX	30-24 (0.05-0.2mm ²)	794046-1
DO NOT SCALE PRINT. UNLESS SPECIFIED DIMENSIONS IN mm [INCHES] TOLERANCES ON:		DR 8-1-94 K. SALMON CHK 8-1-94 R. SWING APPD 8-4-94 C. CASH 2 PLC DEC ± - 3 PLC DEC ± 0.13 ANGLES ± 0°30'		
SEE TABLE		AMP INCORPORATED Harrisburg, Pa. 17105 NAME .062 SOCKET COMMERCIAL PIN & SOCKET		
SEE TABLE		APPD 8-4-94 C. CASH PRODUCT SPEC - APPLICATION SPEC - WEIGHT -		
SCALE		SIZE	CAGE CODE	DRAWING NO
5:1		D	00779	794046
SHEET		1 OF 1		